

The Uncompromising Leader for HO Fluorescent Replacement in New and Retrofit Sign Cabinets



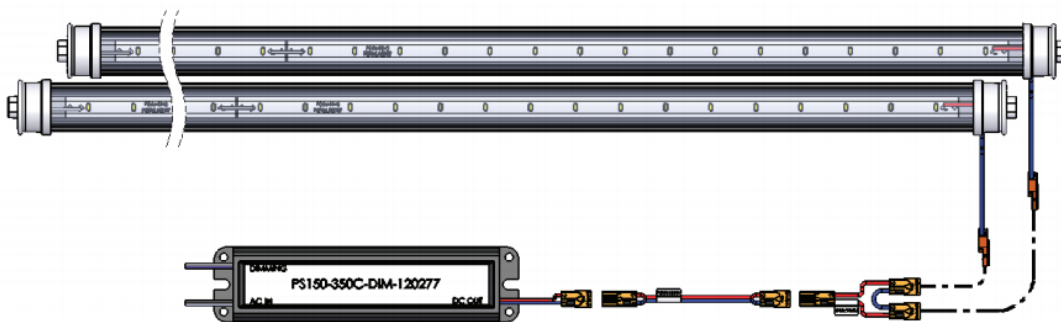
Features & Benefits

- 50% to 76% power and energy savings over HO fluorescents
- Up to 6 times longer lamp life for maintenance cost savings
- Drop-in, indexing RDC mechanical connection for easy retrofit, precise placement and uniform sign face luminance
- Custom engineered heatsink with 9 sq. in. of heat radiating surface area per inch of length cools the LEDs for industry leading lifetime
- Family of 24" to 120" tubes for one to one fluorescent replacement
- High efficacy LED at > 800 lumens per foot to match legacy Daylight HO fluorescent
- Remote, easily replaceable constant current driver for highest efficacy and energy savings
- Quick connects for easy installation with polarity integrity for highest reliability, no tools or raceway required
- Dimming Driver for energy savings and municipal code compliance



Ratings and Performance Specifications

Maximum DC Input Current	350mA
Nominal DC Power Consumption	See Table 1
Nominal Beam Angle	360°
Number of Tubes per Order.....	10
Estimated Lumen Depreciation (TM-21)	70% initial lumens (L70) @ 100,000 hours
Maximum Operating Ambient Temperature (Ta) @ 90% relative humidity.....	-40 to +60°C
Maximum Solder Pad Temperature (Ts)	+105°C
UL File Number (Retrofit).....	E246705
UL File Number (UL879 and SAM).....	E213411



Application Notes

1. For installation instructions see Permlight PD15-0019 Retrofit Installation Kit Instructions available online or at customerservice@permlighttechnologies.tech.
2. Abnormal operating conditions or elevated ambient temperatures can be expected to negatively impact lumen output, product lifetime and/or product performance.

Lineararray™ PFXXXHO2S Series

Table 1, Performance Characteristics at 25C

Data from laboratory test measurements, actual results may vary.

Part Number	Fluorescent Equivalent	Nominal CCT or Wavelength (Kelvin/nm)	Nominal Length (Inches)	Min CRI	Nominal Light Output (Lumens)	Nominal Power Load (WDC)	Max Tubes 120W Driver	Max Tubes 150W Driver
PF120HO2S-65	F120T12/D/HO	Daylight 6500K	120"	80	8600	86.8	1	1
PF120HO2S-R	F120T12/R/HO	Red 630nm	120"	n/a	n/a	86.8	1	1
PF117HO2S-65	F117T12/D/HO	Daylight 6500K	117"	80	7800	82.5	1	1
PF108HO2S-65	F108T12/D/HO	Daylight 6500K	108"	80	7200	78.1	1	1
PF96HO2S-65	F96T12/D/HO	Daylight 6500K	96"	80	6400	69.5	1	2
PF96HO2S-R	F96T12/R/HO	Red 630nm	96"	n/a	n/a	69.5	1	2
PF84HO2S-65	F84T12/D/HO	Daylight 6500K	84"	80	5600	56.4	2	2
PF72HO2S-65	F72T12D/HO	Daylight 6500K	72"	80	4800	47.8	2	3
PF72HO2S-R	F72T12/R/HO	Red 630nm	72"	n/a	n/a	47.8	2	3
PF64HO2S-65	F64T12/D/HO	Daylight 6500K	64"	80	4265	43.4	2	3
PF60HO2S-65	F60T12/D/HO	Daylight 6500K	60"	80	4025	39.1	3	3
PF48HO2S-65	F48T12/D/HO	Daylight 6500K	48"	80	3200	30.4	3	4
PF42HO2S-65	F42T12/D/HO	Daylight 6500K	42"	80	2800	26.1	4	5
PF36HO2S-65	F36T12/D/HO	Daylight 6500K	36"	80	2400	21.7	5	6
PF30HO2S-65	F30T12/D/HO	Daylight 6500K	30"	80	2000	17.4	6	8
PF24HO2S-65	F24T12/D/HO	Daylight 6500K	24"	80	1600	13.0	9	11

Compatible Drivers

PS150-350C-UNV-DIM-WH	150W dimmable driver with quick connects to tube(s) or harnesses
PS120-350C-UNV-WH	120W driver with quick connects to tube(s) or harnesses

Polarized Splitter and Extension Quick Connects

Using low voltage LED wire that does not require a raceway.

See UL Subject 2592, ZNPA2, Guide Information.

PD60-2100	Splitter harness 2 to 1
PD60-3100	Splitter harness 3 to 1
PD60-4100	Splitter harness 4 to 1
PD60-5100	Splitter harness 5 to 1
PD60-6100	Splitter harness 6 to 1
PD60-8100	Splitter harness 8 to 1
PD60-00xx	Extension harness, xx = feet: 01, 02, 03, 04, 05, 06, 08, 10, 12, 14, 16, 18, 20, 22, 24

Options

Other CCT (for example 4000K) available, contact factory.

Warranty

7-Year limited warranty in accordance with published warranty conditions. Product must be used with compatible components (drivers and/or accessories) and no maximum ratings (such as Ta) shall be exceeded during any expected operating conditions of the system. If product is used with other manufacturer's product, compatibility must be recognized in writing by Permlight Technologies.

Permlight Technologies owns the following United States patents of which one or more may be applicable to the design and/or manufacture of this product: 6712486, 6578986, 6846093, 7114831, 7306353, 7102172, 7108396, 7329024, 7387406, 7582911, 7649327, 8926145, 8729810. Additional granted patents, patents pending and other IP protection rights may apply.